

6 5 4 3 2 1

| PART REV. | DWG. REV. | DATE | ECO NUMBER (DESCRIPTION) | APPR'D |
|-----------|-----------|---------|--------------------------|--------|
| 1.00 | 1.00 | 31Aug10 | PCB-510-1.00 released. | SK |

D

C

B

A

IO Expansion Connectors
2x8 DIL Headers

Port A or Data

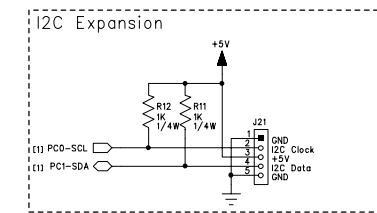
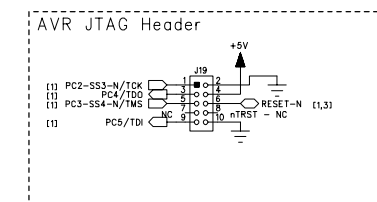
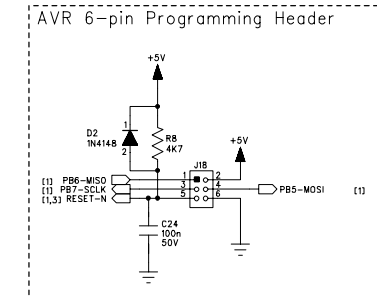
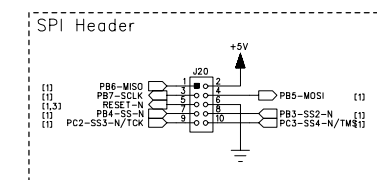
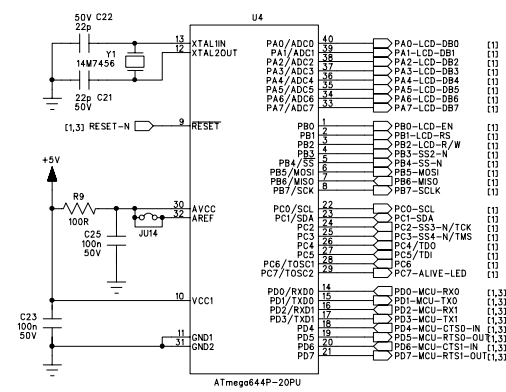
Port B

Port C or Upper Address

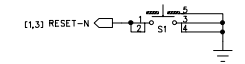
Port D

Port D Test Points by Proto Area

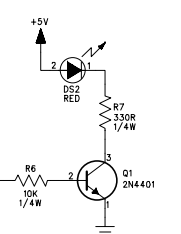
ATmega1284P /
ATmega644P AVR Microcontroller



Reset Button

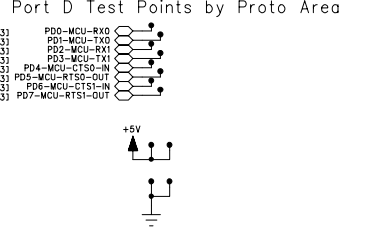
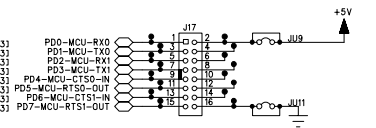
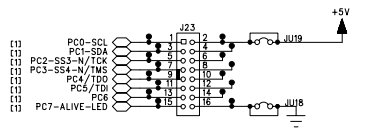
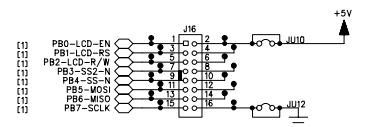
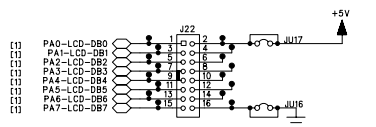
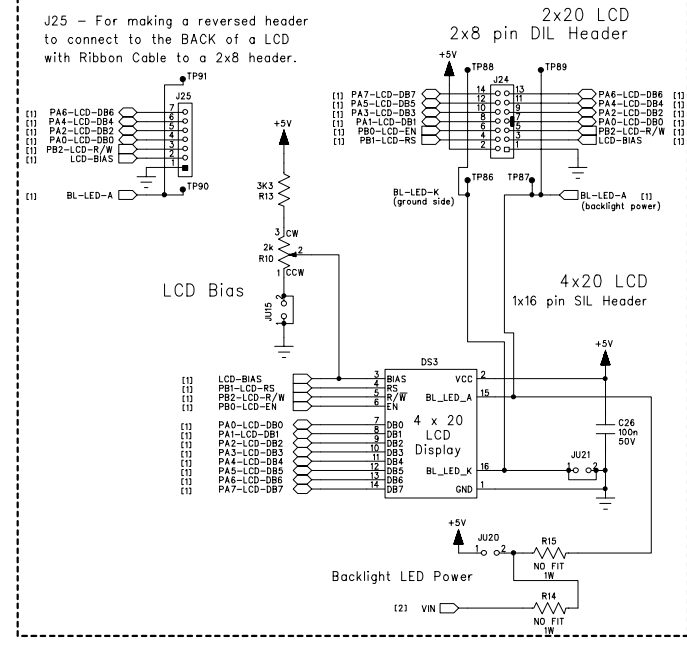


"I'm Alive" LED



Optional Parts, Not Installed

LCD Character Display



| | |
|-------------------------|------------------|
| DESIGNED Scot Kornak | DATE Jun 2010 |
| DRAWN Scot Kornak | DATE Jun 2010 |
| CHECKED Scot Kornak | DATE Aug 2010 |
| APPROVED Scot Kornak | DATE Aug 2010 |

BusBoard Prototype Systems Ltd.
www.BusBoard.net

THIS DRAWING IS ISSUED BY BUSBOARD PROTOTYPE SYSTEMS LTD. IN CONFIDENCE AND IS NOT TO BE REPRODUCED OR RELEASED, IN WHOLE OR IN PART, WITHOUT THE PRIOR WRITTEN PERMISSION OF B.P.S. Ltd. THE INFORMATION CONTAINED HEREIN IS THE PROPERTY OF CARD LABS, AND IS TO BE USED ONLY FOR THE PURPOSE FOR WHICH IT IS SUBMITTED.
(C) Copyright 2010 BusBoard Prototype Sys. Ltd. All Rights Reserved

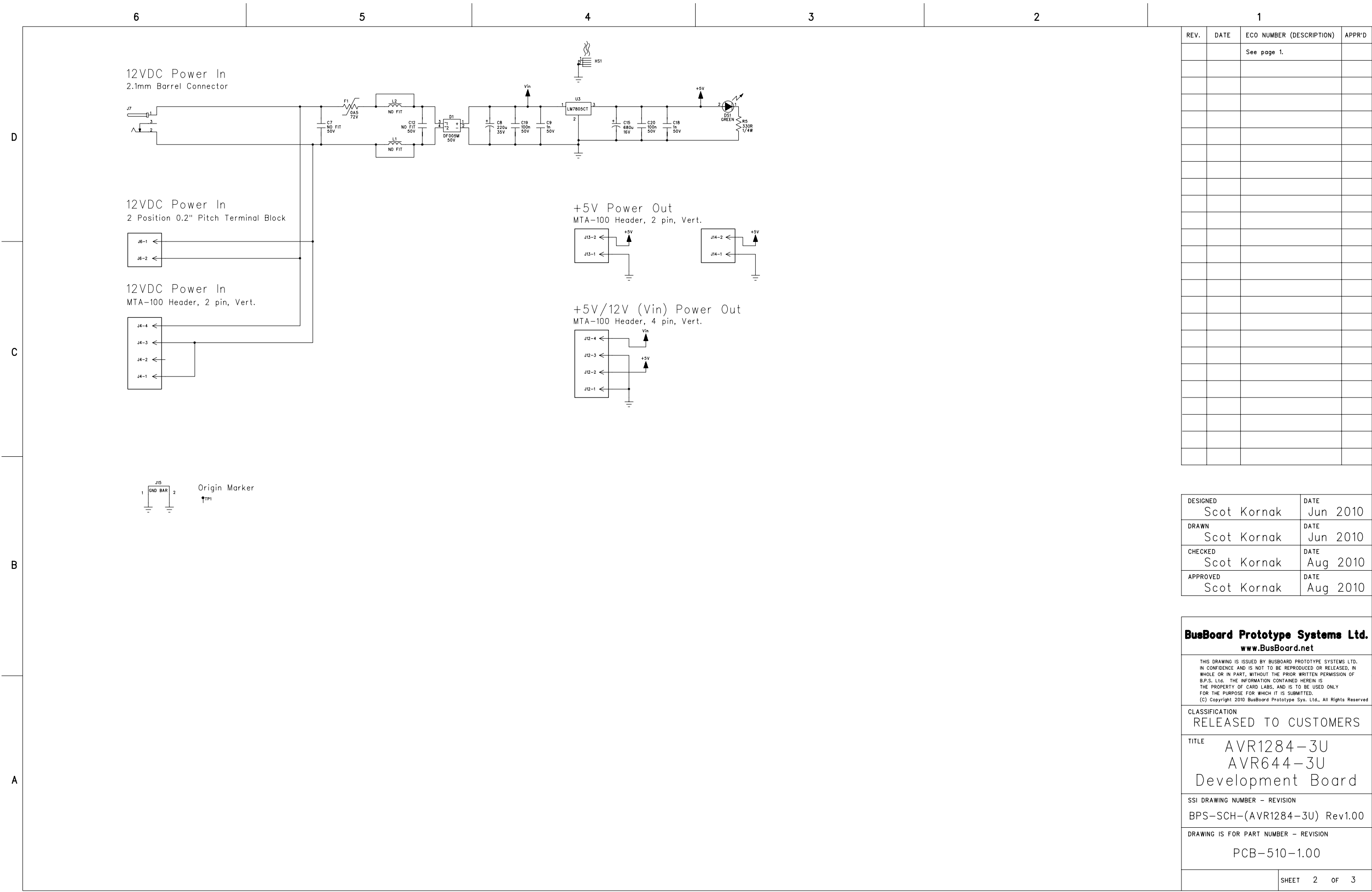
CLASSIFICATION
RELEASED TO CUSTOMERS

TITLE
AVR1284-3U
AVR644-3U
Development Board

SSI DRAWING NUMBER - REVISION
BPS-SCH-(AVR1284-3U) Rev1.00

DRAWING IS FOR PART NUMBER - REVISION
PCB-510-1.00

* = Part fitted to incorrect decal. & = Part added as salvage. X = track cut.



| REV. | DATE | ECO NUMBER (DESCRIPTION) | APPR'D |
|------|------|--------------------------|--------|
| | | See page 1. | |
| | | | |
| | | | |
| | | | |
| | | | |
| | | | |
| | | | |
| | | | |
| | | | |
| | | | |
| | | | |
| | | | |
| | | | |
| | | | |
| | | | |
| | | | |
| | | | |
| | | | |
| | | | |
| | | | |
| | | | |
| | | | |
| | | | |
| | | | |
| | | | |
| | | | |

| | | | |
|----------|-------------|------|----------|
| DESIGNED | Scot Kornak | DATE | Jun 2010 |
| DRAWN | Scot Kornak | DATE | Jun 2010 |
| CHECKED | Scot Kornak | DATE | Aug 2010 |
| APPROVED | Scot Kornak | DATE | Aug 2010 |

BusBoard Prototype Systems Ltd.
www.BusBoard.net

THIS DRAWING IS ISSUED BY BUSBOARD PROTOTYPE SYSTEMS LTD. IN CONFIDENCE AND IS NOT TO BE REPRODUCED OR RELEASED, IN WHOLE OR IN PART, WITHOUT THE PRIOR WRITTEN PERMISSION OF B.P.S. Ltd. THE INFORMATION CONTAINED HEREIN IS THE PROPERTY OF CARD LABS, AND IS TO BE USED ONLY FOR THE PURPOSE FOR WHICH IT IS SUBMITTED.
(c) Copyright 2010 BusBoard Prototype Sys. Ltd., All Rights Reserved

CLASSIFICATION
RELEASED TO CUSTOMERS

TITLE
AVR1284-3U
AVR644-3U
Development Board

SSI DRAWING NUMBER - REVISION
BPS-SCH-(AVR1284-3U) Rev1.00

DRAWING IS FOR PART NUMBER - REVISION
PCB-510-1.00

* = Part fitted to incorrect decal. & = Part added as salvage. X = track cut.

6

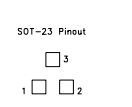
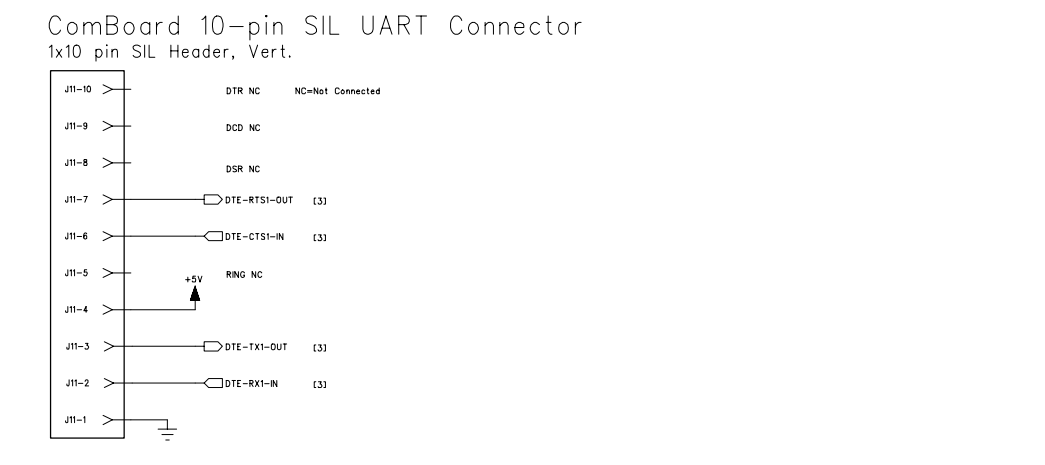
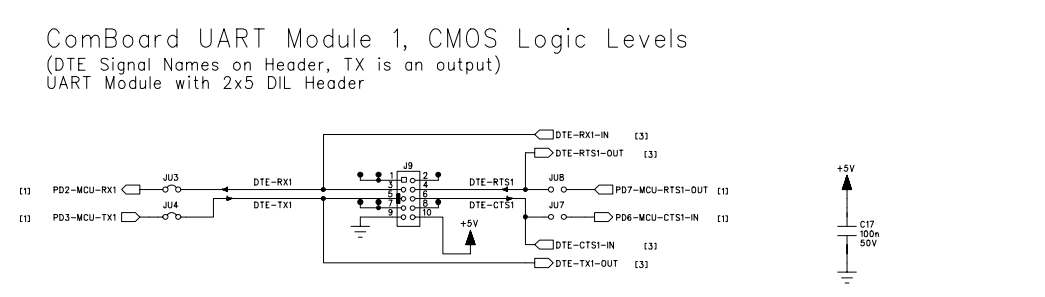
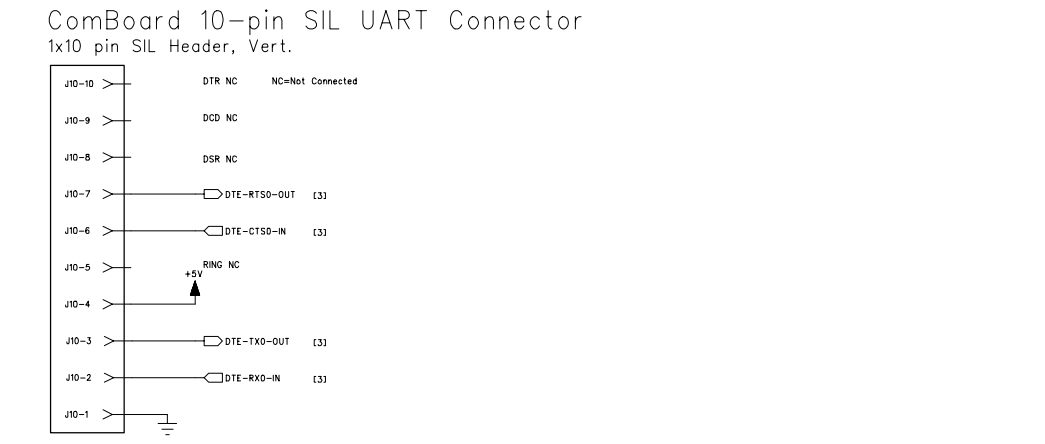
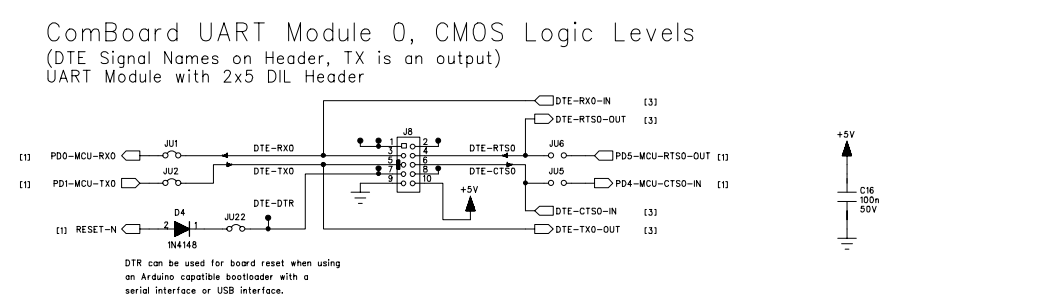
5

4

3

2

1

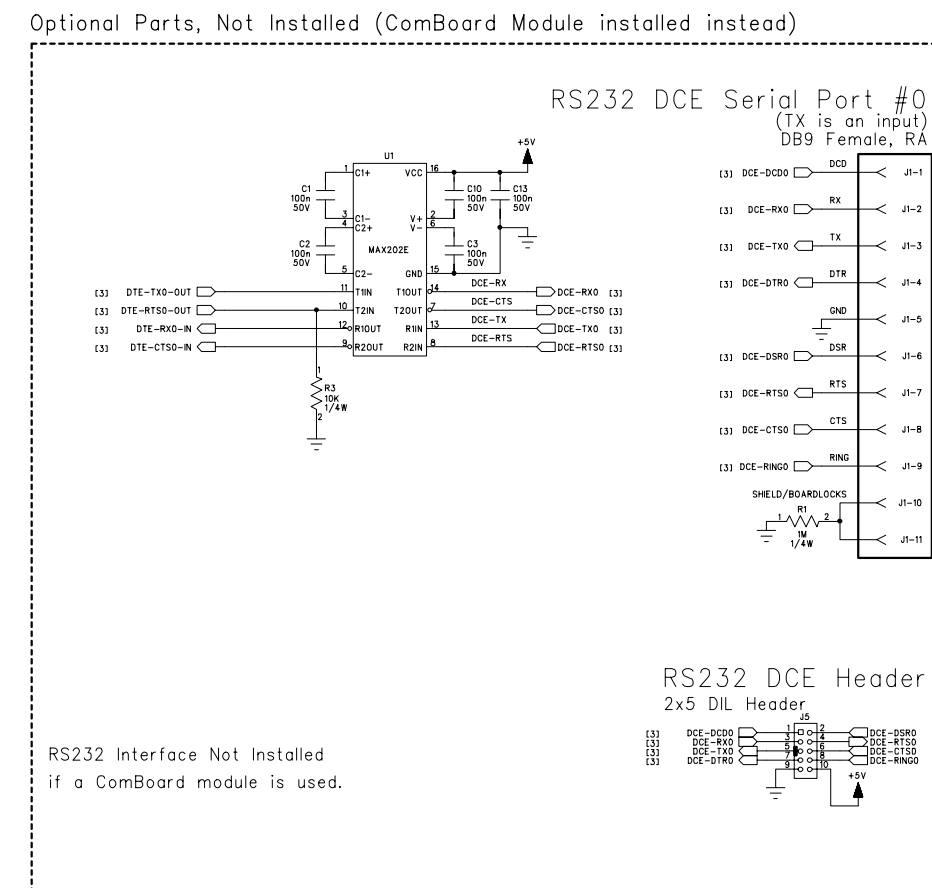


D

C

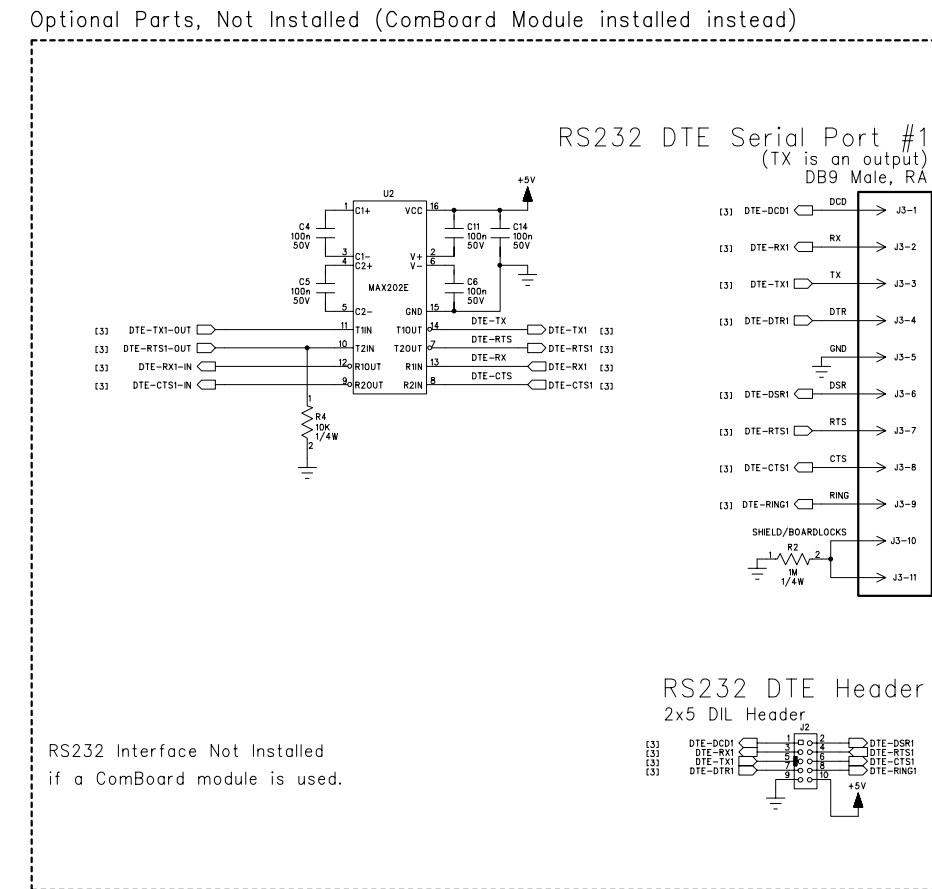
B

A



D

C



B

A

| REV. | DATE | ECO NUMBER (DESCRIPTION) | APPR'D |
|------|------|--------------------------|--------|
| . | . | See page 1. | . |
| | | | |
| | | | |
| | | | |
| | | | |
| | | | |
| | | | |
| | | | |
| | | | |
| | | | |
| | | | |
| | | | |
| | | | |
| | | | |
| | | | |
| | | | |
| | | | |

| | |
|-------------------------|------------------|
| DESIGNED Scot Kornak | DATE Jun 2010 |
| DRAWN Scot Kornak | DATE Jun 2010 |
| CHECKED Scot Kornak | DATE Aug 2010 |
| APPROVED Scot Kornak | DATE Aug 2010 |

BusBoard Prototype Systems Ltd.
www.BusBoard.net

THIS DRAWING IS ISSUED BY BUSBOARD PROTOTYPE SYSTEMS LTD. IN CONFIDENCE AND IS NOT TO BE REPRODUCED OR RELEASED, IN WHOLE OR IN PART, WITHOUT THE PRIOR WRITTEN PERMISSION OF B.P.S. LTD. THE INFORMATION CONTAINED HEREIN IS THE PROPERTY OF CARD LABS, AND IS TO BE USED ONLY FOR THE PURPOSE FOR WHICH IT IS SUBMITTED.
(c) Copyright 2010 BusBoard Prototype Sys. Ltd. All Rights Reserved

CLASSIFICATION
RELEASED TO CUSTOMERS

TITLE
AVR1284-3U
AVR644-3U
Development Board

SSI DRAWING NUMBER - REVISION
BPS-SCH-(AVR1284-3U) Rev1.00

DRAWING IS FOR PART NUMBER - REVISION
PCB-510-1.00

* = Part fitted to incorrect decal. & = Part added as salvage. X = track cut.